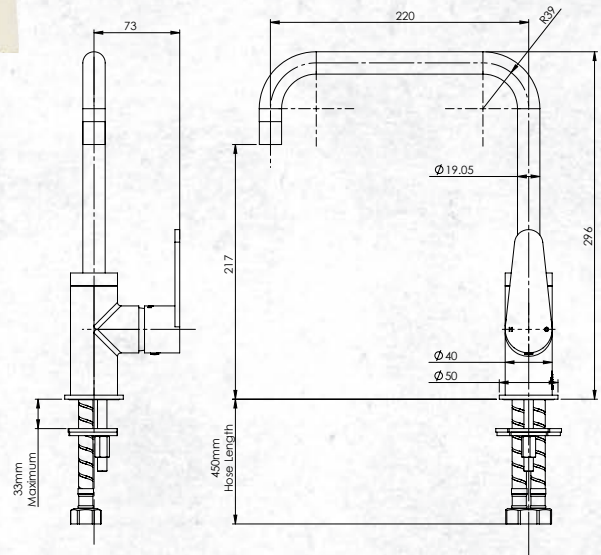


BOSTON TAPWARE

Boston brings a new sleek look to the Raymor range, emanating style and sophistication, making it ideal for contemporary houses. Boston is available in basin, bath, shower and sink tapware.

SINK MIXER
692840



FEATURES

- DR Solid brass body & laser etched hot & cold
- Spout reach 220mm to centre of outlet
- Suitable for mains pressures
- 35mm cartridge
- Chrome finish
- WELS 4★ 7.0 lpm (Mains)

