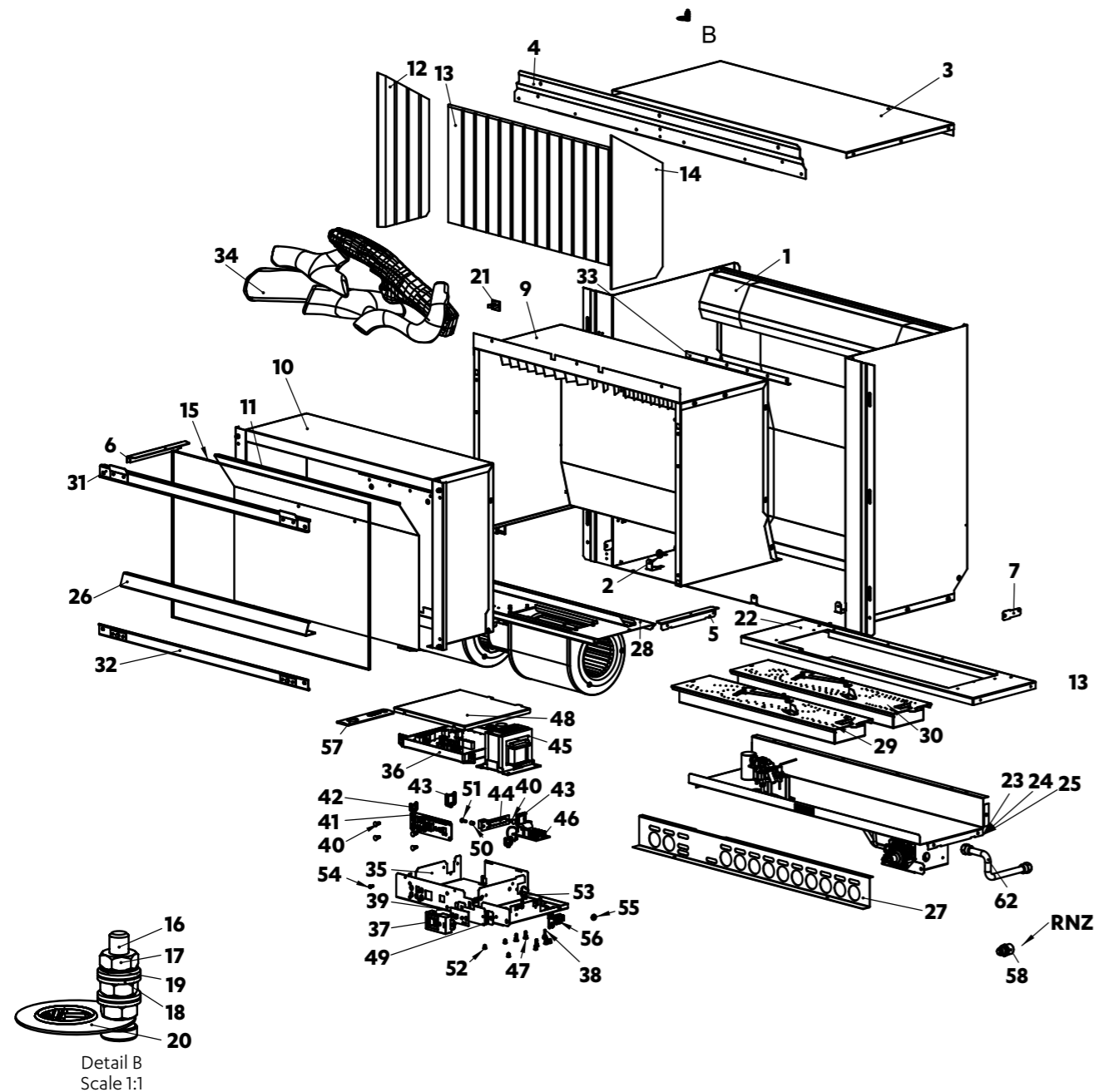


Neo (RIB2312) gas fireplace

This diagram is provided to assist you to identify parts if replacement is necessary. Contact your place of purchase or the manufacturer to enquire about parts, availability and/or service.

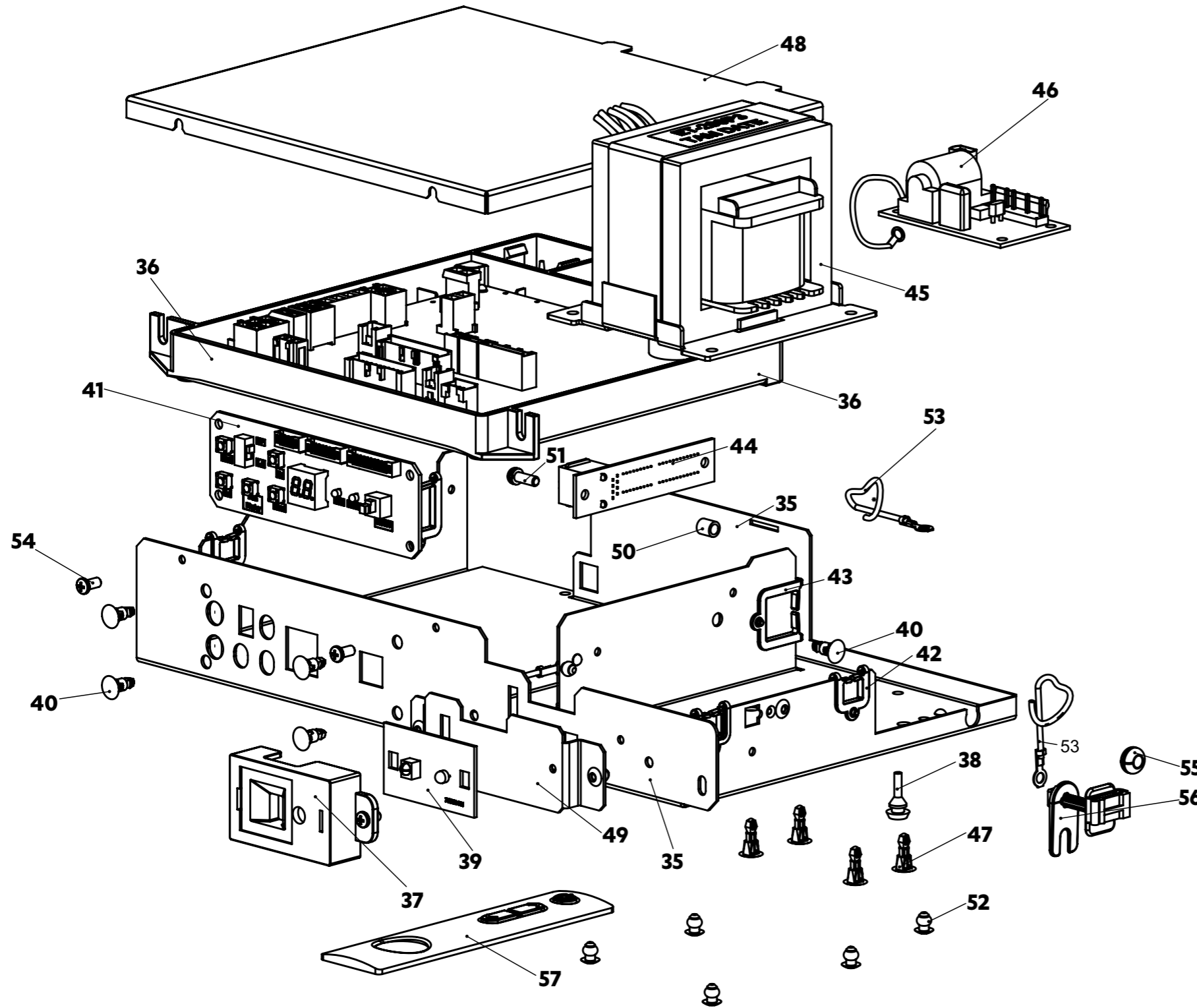


Ref.	Part No.	Description	Qty.
1	13120B	Body outer assembly painted	1
2	7132	Rubber grommet power cord	1
3	11854	Panel top	1
4	11855B	Top panel trim painted	1
5	11860	Fan mounting bracket RH	1
6	11859	Fan mounting bracket LH	1
7	11865	Surround retaining bracket	2
9	12159F	Outer air guard spare	1
10	11870F	Combustion chamber assembly	1
11	12319F	Heat shield painted	1
12	12366	Ceramic panel groove LH	1
13	12367	Ceramic panel groove rear	1
14	12368	Ceramic panel groove RH	1
15	11966	Glass replacement assembly	1
16	9073	Screw M4 x 20 phillips pan head zinc	1
17	9186	Nut M4 ZP	3
18	9231	Washer flat M4 ZP	4
19	9233	Washer spring M4 ZP	1
20	11269	Tag earth symbol	1
21	10309	Cable clip	3
22	13131F	Burner surround painted	1
23, 24, 25	-	Gas control assembly—see p. 3	1
26	13134F	Pilot shield black	1
27	13132B	Burner air intake painted	1
28	11965	Fan replacement assembly	1
29	11886F	Burner assembly black NG	1
30	11945F	Burner assembly black LPG	1
31	11962	Glass retainer top assembly	1
32	11963	Glass retainer bottom assembly	1
33	12369	Bracket flue outlet guide	1
34	12370	Log set*	1
-	2544	Granule pack*	
* Correct positioning of the log set and granules are critical to performance. Always follow the instructions detailed in the installation guide.			
35	12811	EL slide base	1
36	12966	PCB main spare	1
37	10394	PCB case receiver	1
38	11304	Self fix bumper	2
39	10393	PCB receiver	1
40	10428	PCB spacer	5
41	10253	PCB display	1
42	1880	Protector plastic edge EHS11U	3

Ref.	Part No.	Description	Qty.
43	10471	Protector plastic edge EHS18U	2
44	12494	Interface board	1
45	10258	Transformer	1
46	13006	Igniter	1
47	9004	PCB spacer black	4
48	12949	PCB box lid	1
49	13124	Mounting bracket receiver	1
50	13066	Spacer M4 clearance 7 mm high	1
51	9070	Screw M4 x 12 c/w washer	1
52	9315	Rivet pop plain 73 AS 5.2	9
53	4417	Wire tie 80 mm	3
54	9063	Screw M4 x 8 pan head phillips zinc	3
55	6749	Rubber grommet	1
56	7540	Thermistor holder	1
57	13040	IR remote control	1
58	5074	Reducing flare 3/8 x 1/2 BF	1
62	7835	Flextube 3/8 x 8 c/w 5/8-18 nuts	1

Neo (RIB2312) gas fireplace

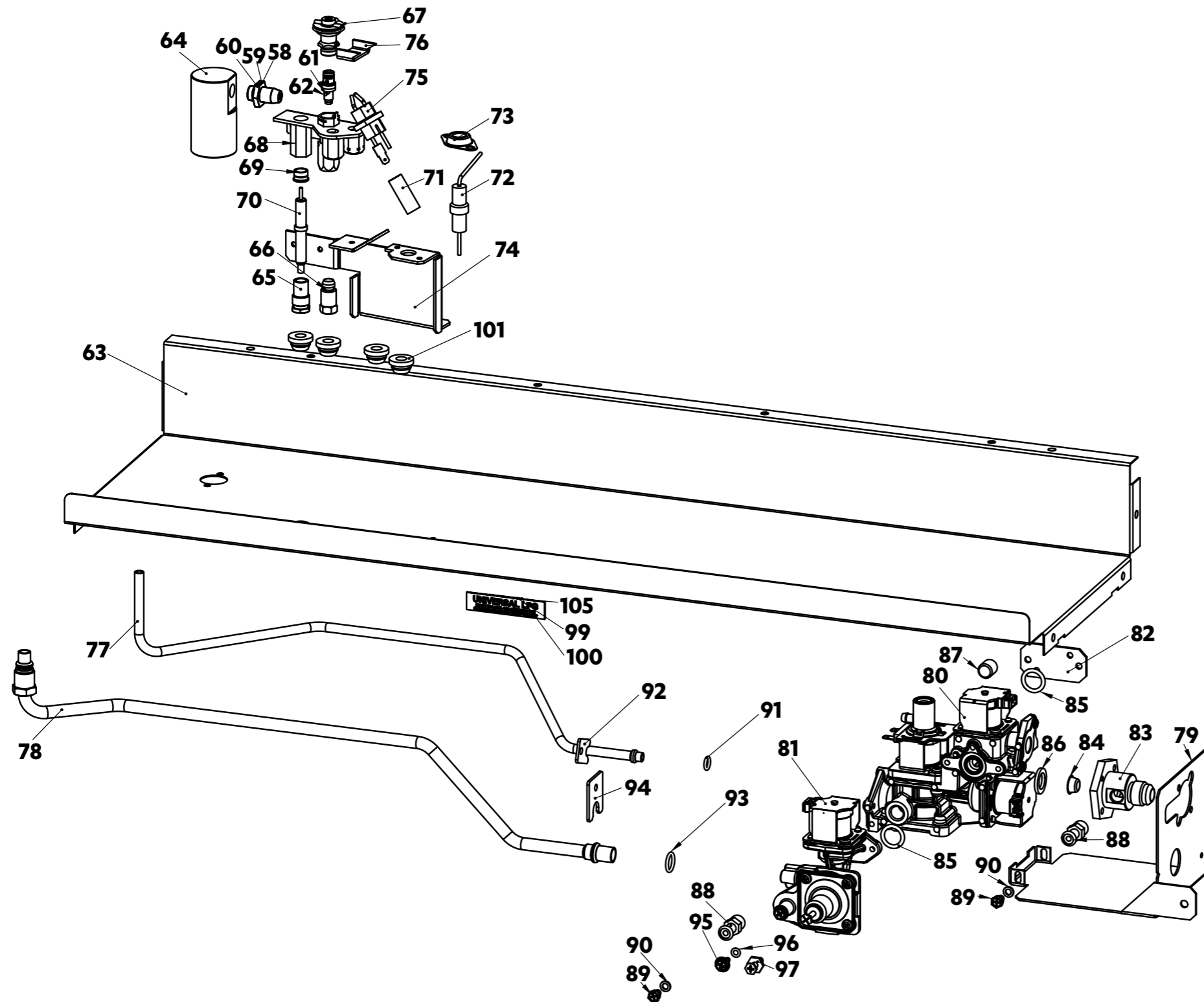
This diagram is provided to assist you to identify parts if replacement is necessary. Contact your place of purchase or the manufacturer to enquire about parts, availability and/or service.



Ref.	Part No.	Description	Qty.
35	12811	EL slide base	1
36	12966	PCB main spare	1
37	10394	PCB case receiver	1
38	11304	Self fix bumper	2
39	10393	PCB receiver	1
40	10428	PCB spacer	5
41	10253	PCB display	1
42	1880	Protector plastic edge EHS11U	3
43	10471	Protector plastic edge EHS18U	2
44	12494	Interface board	1
45	10258	Transformer	1
46	13006	Igniter	1
47	9004	PCB spacer black	4
48	12929	PCB box lid	1
49	13124	Mounting bracket receiver	1
50	13066	Spacer M4 clearance 7 mm high	1
51	9070	Screw M4 x 12 c/w washer	1
52	9315	Rivet pop plain 73 AS 5.2	9
53	4417	Wire tie 80 mm	3
54	9063	Screw M4 x 8 pan head phillips zinc	3
55	6749	Rubber grommet	1
56	7540	Thermistor holder	1
57	13040	IR remote control	1
Components not drawn			
-	10284	Harness control panel	1
-	10387	Wire earth combustion fan	1
-	11925	Cable CAT5 x 1.4 m	1
-	12492	Harness 12-way control panel	1
-	12496	Harness 9-way control panel	1
-	12656	Harness receiver	1
-	13004	Ferrite clamp	2
-	13008	Harness flame rod	1
-	13011	Thermal fuse	1
-	13012	Harness POV	1
-	13013	Harness magnetic valve relay	1
-	13014	Harness main gas control	1
-	13033	Harness thermistor universal control	1
-	13042	Power cord universal control	1

Neo (RIB2312) gas fireplace

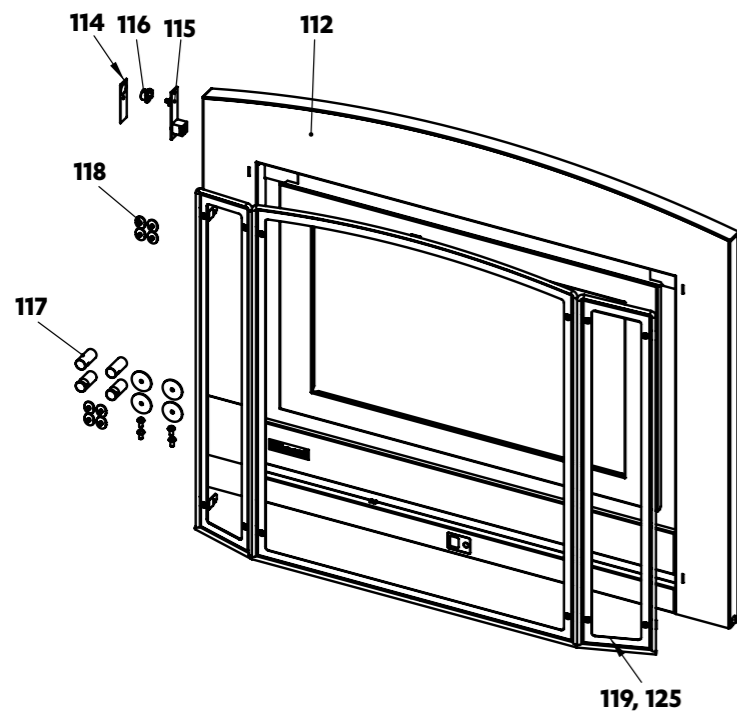
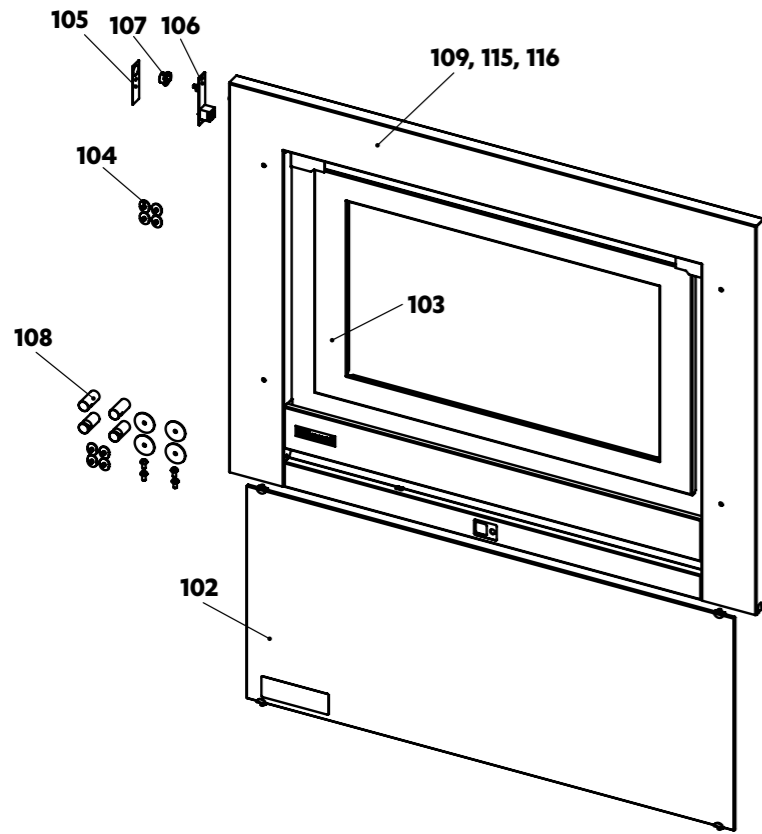
This diagram is provided to assist you to identify parts if replacement is necessary. Contact your place of purchase or the manufacturer to enquire about parts, availability and/or service.



Ref.	Part No.	Description	Qty.
58	11892	Injector 2.8 mm NG	1
59	11868	Injector 1.55 mm ULPG	1
61	7795	Injector NG 0.62 mm NG	1
62	7873	Injector pilot LPG 0.35 mm	1
63	13125	Burner support	1
64	11530	Injector block	1
65	7900	Electrode nut ETR	1
66	7519	Olive 6 mm	1
67	10272	Pilot convertible hood 3-flame	1
68	7870	Pilot body top convertible	1
69	7902	Sparker electrode pilot	1
70	7875	Electrode	1
71	12931	Electrode sheath silicone (2 pack)	1
72	12620	Flame rod	1
73	3068	Flame rod bracket	1
74	13126	Pilot bracket	1
75	10265	Electrode double	1
76	13043	Electrode clamp universal controller	1
77	13129	Pilot tube	1
78	13128	Gas supply tube assembly	1
79	13026	Mounting bracket	1
80	13000	Gas valve main	1
81	13001	Pilot regulator	1
82	13003	Cover plate	1
83	13015	Gas inlet adaptor 3/8 flare	1
84	13019	Filter RCK-6808-2	1
85	13020	O-ring M10B-1-14	2
86	10290	Packing	1
87	6243	Plug dryseal pressure 1/8 " BSP	1
88	9992	Pressure test point	2
89	9994	Pressure test point screw	2
90	9995	Pressure test point packing	2
91	6308	O-ring M10B-1-6	1
92	13028	Tube clamp 6 mm	1
93	2389	O-ring M10B-1-10	1
94	10329	Tube clamp 10	1
95	3564	Test point screw C10D-5-1	1
96	2239	O-ring M10B-13-4	1
97	6700	Adjustment screw c/w nut	1
99	7349	Label Natural Gas	1
101	10767	Grommet kit	1
105	7348	Label Universal LPG	1

Neo (RIB2312) gas fireplace

This diagram is provided to assist you to identify parts if replacement is necessary. Contact your place of purchase or the manufacturer to enquire about parts, availability and/or service.



Standard frame

Ref.	Part No.	Description	Qty.
102	11973	Glass guard replacement	1
103	11975	Inner frame replacement - black	1
104	11977	Grommet set 4-glass standoff	1
105	12139	Control label	1
106	12999	Manual control switch	1
107	10250	Button	1
108	11976	Standoff replacement set	1
109	13135	Frame replacement galaxy black*	1
110	13136	Frame replacement stainless*	1
111	13137	Frame replacement stainless/black*	1

* Frame replacement also includes manual control switch (12999), control label (12139), and button (10250)

Inbuilt Classic Premium frame

Ref.	Part No.	Description	Qty.
112	1318	Frame replacement classic	1
113	11893B	Glass frame black	1
114	12139	Control label	1
115	12999	Manual control switch	1
116	10250	Button	1
117	11976	Standoff replacement set	1
118	11977	Grommet set 4-glass standoff	1
119	12123SH	Classic guard assembly wire frame silver	1
120	12123BZ	Classic guard assembly wire frame bronze	1

* Frame replacement also includes manual control switch (12999), control label (12139), and button (10250)